

HIGH EFFICIENCY GAS

VEKTOR | ELEMENT | INSPIRE

REAL  FLAME



In-log burner creating a blazing campfire style flame

Glowing LED ember bed

2 internal finishes to match all décor types; Ribbed ceramic (shown in photo) or glass ROBAX® Magic Black

Modern edge to edge outer glass

Control via remote control or Wi-Fi app

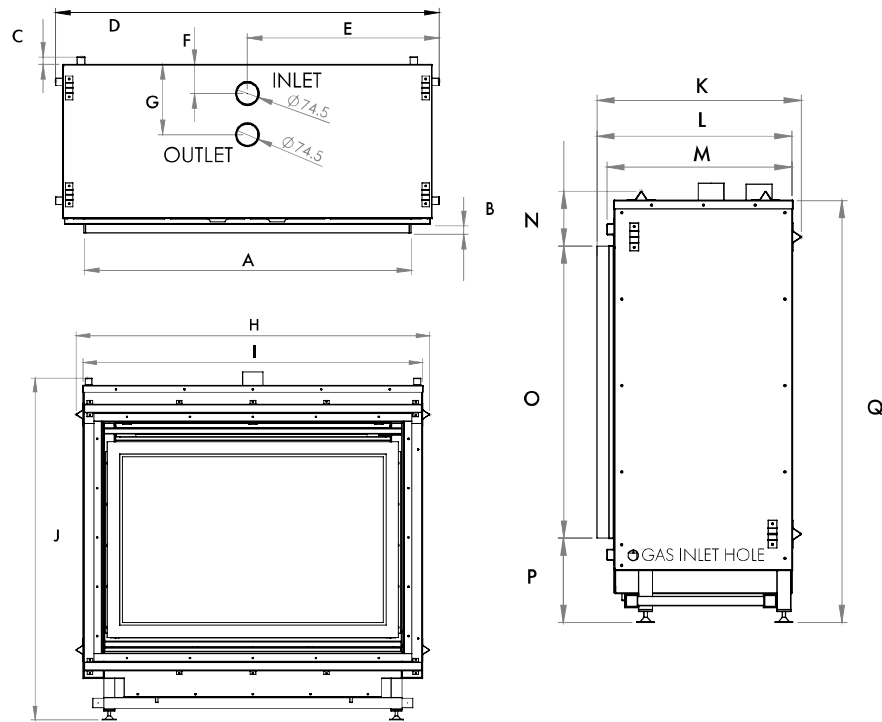
Power balanced flue up to 13.5m horizontally or vertically

* 1100 in Natural Gas | — 900 in Natural Gas, LPG and ULPG.

New extended flue runs for 900 fire.

VEKTOR

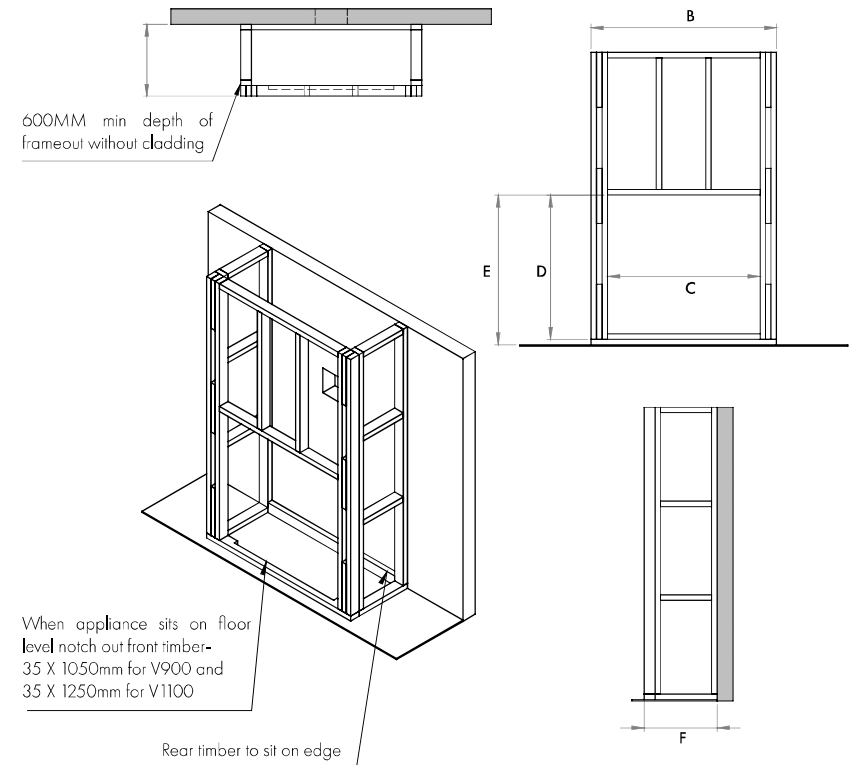
UNIT DIMENSIONS



UNIT	A	B	C	D	E	F	G	H	I	J	K	L
V900	901	29	25	1091	545	98	237	1091	1040	1098	591	564
V1100	1101	29	25	1291	645	98	237	1291	1240	1248	591	564

UNIT	M	N	O	P	Q	NG M _i /h	LPG M _i /h	ULPG M _i /h
V900	535	159	695	244	1070	26-30	26-29	22.5-24
V1100	535	159	845	244	1220	41-46	-	-

FRAME OUT DIMENSIONS



UNIT	A	B	C	D	E	F
V900	600	1520	1250	1180	1225	600
V1100	600	1720	1450	1330	1375	600



The high efficiency range from Real Flame are designed to provide room sealed space heating while ensuring a secure mesmerising view of the fire. Be it small, medium, or large room, the high-efficient range is available in different size and designs to suit all application. With new designs and sleeker aesthetics, the high-efficient range is sure to include the perfect option for you.

Safety and Simplicity with Power-Balanced Flue

One of the key features of the High Efficiency range is the Real Flame Power-Balanced Flue (PBF) system, which draws air for combustion from outside your home or building. This means that unlike traditional gas and wood fires, the Real Flame High Efficiency range requires no additional ventilation to be provided in the building.

It is also class-leading in terms of safety, as the flue gases created in the fireplace are drawn through the PBF system by a powerful fan without ever interacting with the air in your home. The PBF system has the added benefit of allowing fireplaces to be installed in areas where they could not have been previously, for example under benchtops or away from external walls.

Control at the touch of a button, from wherever you are

This range comes as standard with a programmable remote control, and Wi-Fi capability*. The Real Flame app (available for Android and iOS) allows control of your fireplace via your home Wi-Fi network from your smartphone, with no costly additional hard-wire cabling required.



ELEMENT

900 | 1200 MK2 | 1800 MK2
1200 DS | 1800 DS

REAL  FLAME

Element is Real Flame's best-selling range of high efficiency gas space heaters. Element is available in single- and double-sided configurations, and in a range of sizes to suit all applications. With new sizes and sleeker aesthetics, the Element range is sure to include the perfect option for you.

Safety and Simplicity with Power-Balanced Flue

One of the key features of the Element range is the Real Flame Power-Balanced Flue (PBF) system, which draws air for combustion from outside your home or building. This means that unlike traditional gas and wood fires, the Real Flame Element range requires no additional ventilation to be provided in the building.

It is also class-leading in terms of safety, as the flue gases created in the fireplace are drawn through the PBF system by a powerful fan without ever interacting with the air in your home.

The PBF system has the added benefit of allowing fireplaces to be installed in areas where they could not have been previously, for example under benchtops or away from external walls.

Versatile Visuals to suit all spaces

To mark the launch of the new Element 900, the Element 1200 and 1800 have been upgraded with new features including cleaner, more design-oriented fascias; Australian red gum fuel effect; and enhanced safety and flueing systems.

Effective and Efficient Heating

The Element range is built in Australia for Australian conditions, and so can provide heating for spaces of up to 120m². With impressive Star Ratings of up to 4.8, Element ensures that efficiency is not compromised to deliver a stunning visual effect.

Control at the touch of a button, from wherever you are

The Element range comes as standard with a programmable remote control, and Wi-Fi capability. The Real Flame app (available for Android and iOS) allows control of your fireplace via your home Wi-Fi network from your smartphone, with no costly additional hard-wire cabling required.





Fuel Effect Options - Redgum & coals | Driftwood | Logs & coals | Coals only |
Pebbles (Mixed, Black, White, or Grey)

Flue type - Power-Balanced Flexible Flue

Terminations - All new extended flue runs. Horizontal (Wall) w/ Inline or External Fan Motor |
Vertical (Roof) w/ Inline or External Fan Motor

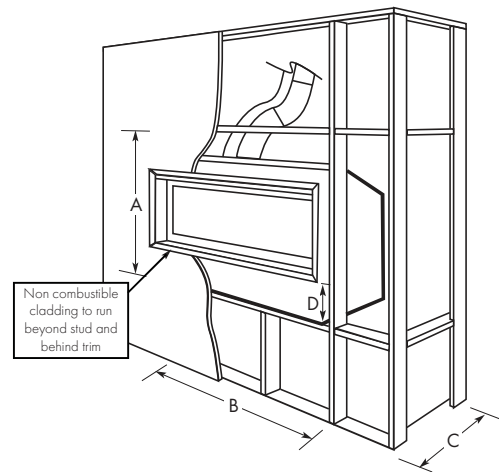
Remote control - Programmable remote with time and temperature control

App - On/Off control app available on Android and iOS – requires Wi-Fi connection and smartphone

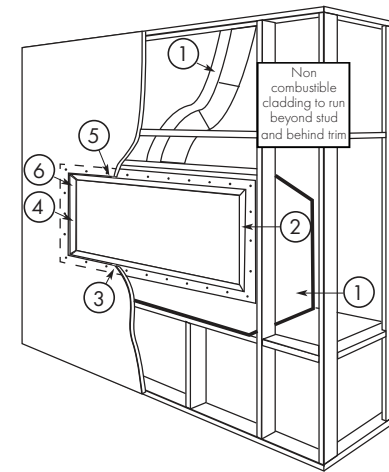


900 | 1200 MK2 | 1800 MK2

50MM TRIM



18MM TRIM



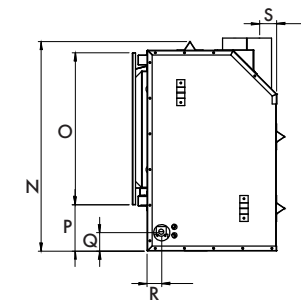
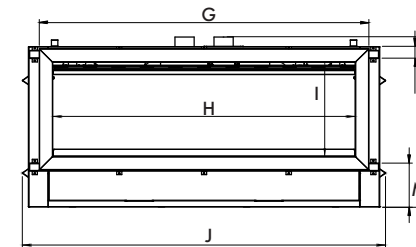
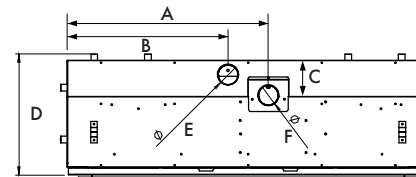
1. Install Element onto base and connect flue, gas and power.
2. Fit 18mm trim assembly.
3. Attach 4 sided flange kit to frame.
4. Remove 18mm assembly.
5. Clad wall to flange kit and finish.
6. Refit 18mm trim assembly.

Model	A	B	C	D
900	660	1120	460	143
1200 MK2	660	1420	460	143
1800 MK2	660	2020	460	143

NOTE :

If the wall is being plastered we recommend fixing stopping bead up to the flange to give a clean shadow line. The depth of the flange profile is 22mm to allow for tiling or rendering. If plaster is used we recommend packing out to 22mm.

UNIT DIMENSIONS

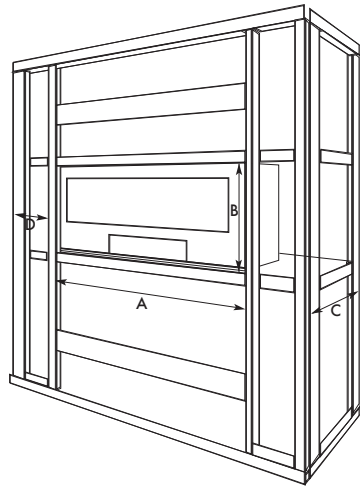


Model	A	B	C	D	E	F	G	H	I
900	626	475	131	452	74.5	74.5	991	887	364
1200 MK2	752	601	131	452	74.5	74.5	1291	1186	364
1800 MK2	1052	901	131	452	74.5	74.5	1897	1786	364

Model	J	K	L	M	N	O	P	Q	R	S
900	1103	46	657	170	645	468	143	56	45	52
1200 MK2	1400	46	657	170	645	468	143	56	45	52
1800 MK2	2000	46	657	170	645	468	143	56	45	52

For full performance and technical specs, see appendix and refer to most up to date IOM at realflame.com.au

1200 DOUBLE SIDED



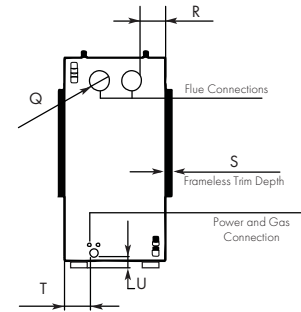
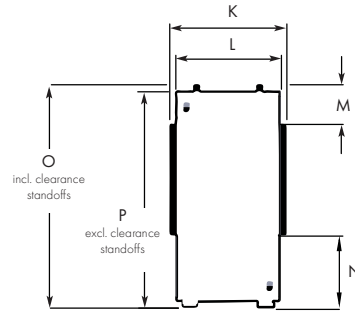
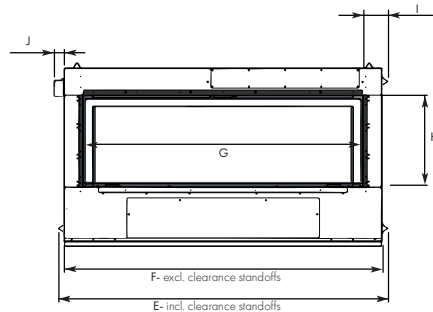
MINIMUM FRAME OUT DIMENSIONS

A	B	C ¹	D ²
1595	850	400	325

1 - Minimum timber frame dimension. Once 10mm plasterboard is added on both sides, this will lead to the frameless trim protruding by approximately 10mm. For a flush finish, C may be increased to 420mm.

*Refer to IOM for latest framing and installation details

2 - Allows for flue attachment and required clearance to flue. Take note of flue, power and gas connection locations detailed below.



UNIT DIMENSIONS

E	F	G	H	I	J	K	L	M	N	O	P	Q	R	S	T	U
1520	1470	1293	424	114	45	445	395	150	275	848	823	74.5(OD)	100	23	100	40

For full performance and technical specs, see appendix and refer to most up to date IOM at realflame.com.au





Fuel Effect Options - Driftwood and Black Diamond | Redgum and Black Diamond | Pebbles (Mixed, Black, White, or Grey) and Black Diamond

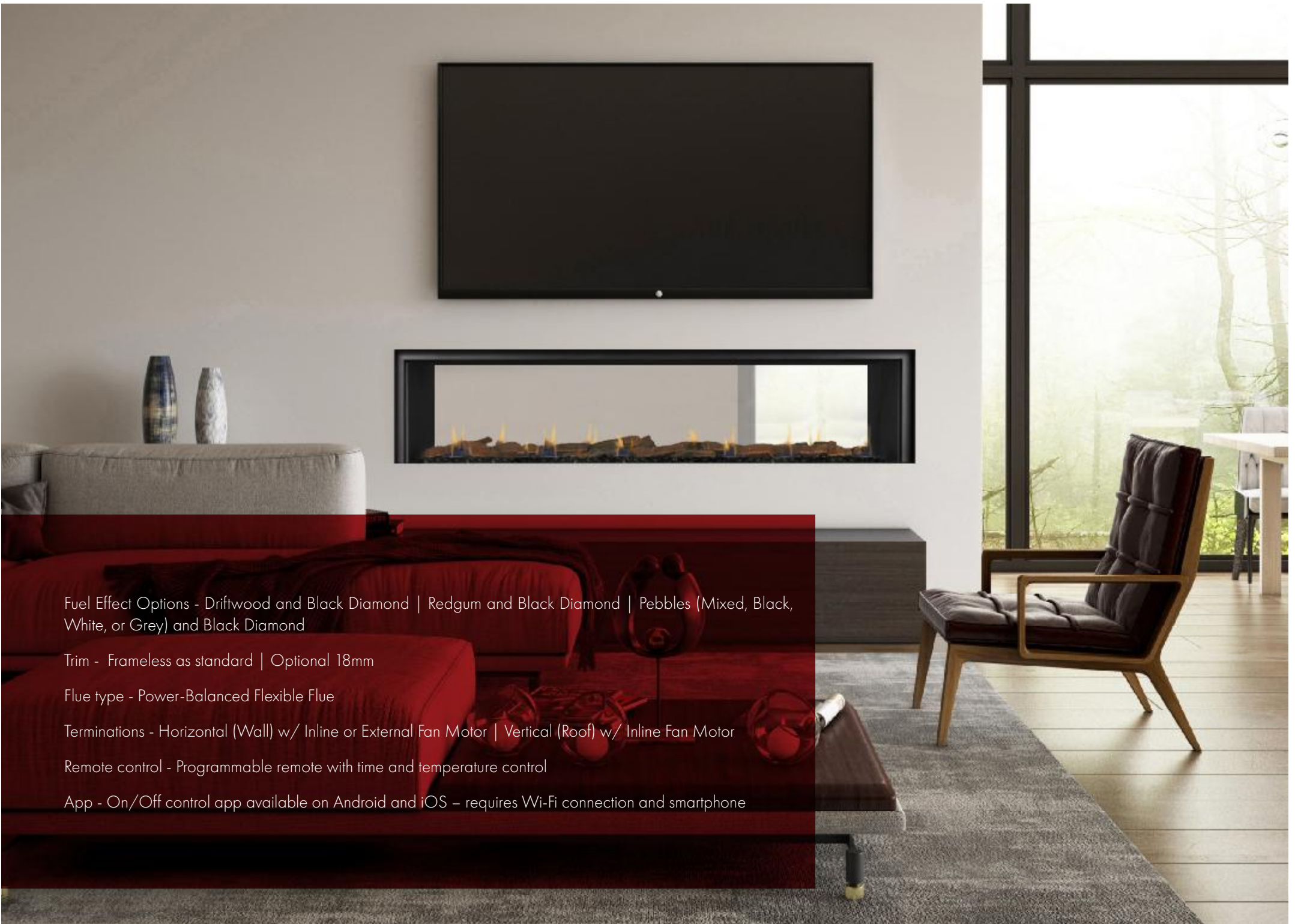
Trim - Frameless as standard | Optional 18mm

Flue type - Power-Balanced Flexible Flue

Terminations - Horizontal (Wall) w/ Inline or External Fan Motor | Vertical (Roof) w/ Inline Fan Motor

Remote control - Programmable remote with time and temperature control

App - On/Off control app available on Android and iOS – requires Wi-Fi connection and smartphone



Fuel Effect Options - Driftwood and Black Diamond | Redgum and Black Diamond | Pebbles (Mixed, Black, White, or Grey) and Black Diamond

Trim - Frameless as standard | Optional 18mm

Flue type - Power-Balanced Flexible Flue

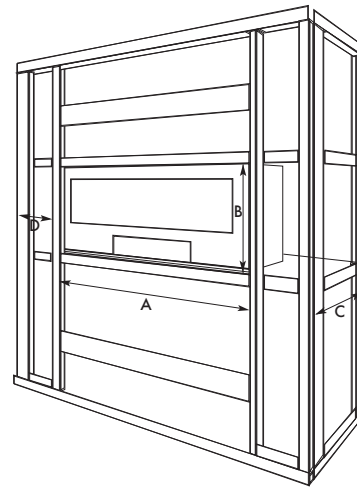
Terminations - Horizontal (Wall) w/ Inline or External Fan Motor | Vertical (Roof) w/ Inline Fan Motor

Remote control - Programmable remote with time and temperature control

App - On/Off control app available on Android and iOS – requires Wi-Fi connection and smartphone



1800 DOUBLE SIDED

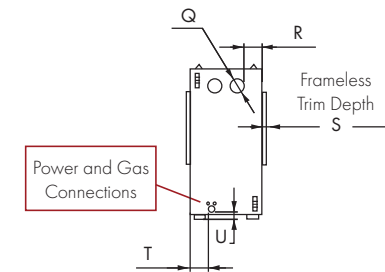
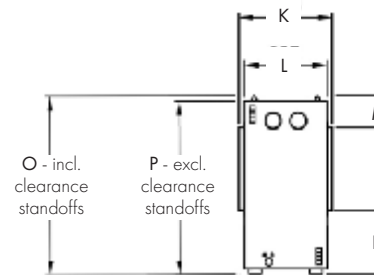
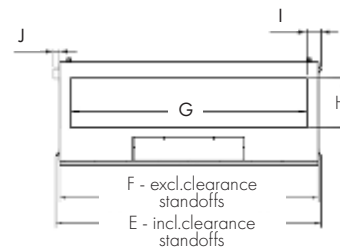


MINIMUM FRAME OUT DIMENSIONS

A	B	C ¹	D ²
2195	850	400	325

1 – minimum timber frame dimension. Once 10mm plasterboard is added on both sides, this will lead to the frameless trim protruding by approx. 10mm. For a flush finish, C may be increased to 420mm.

2 – allows for flue attachment and required clearance to flue. Take note of flue, power, and gas connection locations detailed below.



UNIT DIMENSIONS

E	F	G	H	I	J	K	L	M	N	O	P	Q	R	S	T	U
2121	2071	1893	398	114	45	445	395	150	300	848	823	74.5(OD)	100	23	100	40

For full performance and technical specs, see appendix and refer to most up to date IOM at realflame.com.au

MEDIA OPTIONS

ELEMENT SINGLE SIDED



Redgum & Coals



Driftwood



Logs & coal



Coals



Pebbles
*4 pebble colour option-
(shown above - white pebbles)

ELEMENT DOUBLE SIDED



Redgum w/black diamond
glass



Driftwood w/black diamond
glass



Pebbles w/ black diamond
glass
*4 pebble colour option-
(shown above - mixed pebbles)

TRIM OPTIONS

ELEMENT SINGLE SIDED



18MM TRIM
POWDERCOAT BLACK
*INCLUDES FLANGE
KIT FOR FLUSH WALL
FINISH



50MM BLACK TRIM
POWDERCOAT BLACK

ELEMENT DOUBLE SIDED



18MM TRIM
POWDERCOAT BLACK

PERFORMANCE DATA

Model		900	1200 MK2	1800 MK2	1200 DS	1800 DS	
Type		High Efficiency	High Efficiency	High Efficiency	High Efficiency	High Efficiency	
Star Rating		Up to 4.4	Up to 4.8	Up to 4.7	Up to 4.3	Up to 4.6	
Input in Mj/hr	NG	High	28	37	39	32	39
		Low	22	29	30	27	32
	LPG	High	28	33	39	32	37
		Low	22	27	30	27	33
	ULPG	High	NA	30	33	NA	NA
		Low		25	27		
Heat Output in kW	High		6.7	8.7	9.1	7.4	9
	Low		5.2	6.7	7.8	6.3	8.7
Approximate Room Size		Up to 95m ²	Up to 105m ²	Up to 110m ²	Up to 100m ²	Up to 120m ²	
Fan Speeds		2	2	2	1	1	

ELEMENT

900 PORTRAIT



REAL FLAME

ELEMENT 900 PORTRAIT

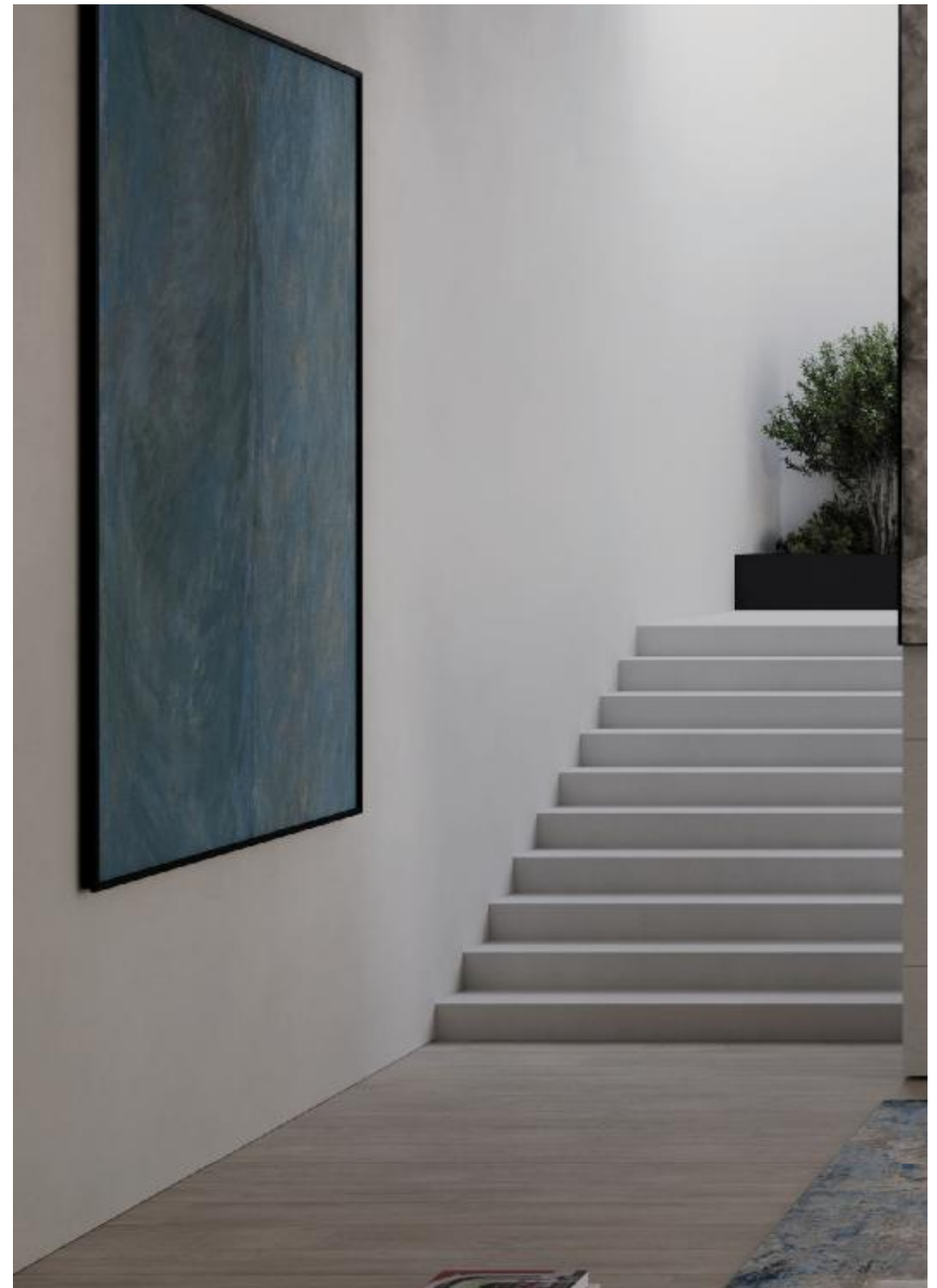
The Element 900 Portrait utilises everything spectacular in the High Efficient Element range into a more defining Portrait design. This elegant gas heater operates on Natural gas and LPG and is equipped with the best-in-class Magiglo burner. This heater is designed for an efficient combustion with up to 4.7 star rating and it maximises performance by heating up to 95m² of your space. An impressive heater with a graceful design.

Connecting back to Australian roots

Element 900 Portrait is an Australian made heater that includes media options which are inspired by a collection of native Australian woodland gatherings. The rugged and rustic alpine forest media set is an added accessory that speaks of the heritage Australian forest floor.

Versatility in installation

The heater can be fitted with a 50mm trim or a much sleeker 18mm trim that comes with a flange kit for ease of installation. Real Flame's dynamic powerflue system is utilised for a safe and efficient flueing system. Portrait can be flued up to 9 meters - horizontally, vertically or under the floor without the requirement of any polypropylene pipe. Making installation of the fireplace uncomplicated and straightforward.





KEY SELLING FEATURES



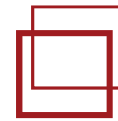
PORTRAIT DESIGN

The all new Portrait size in the efficient Element range.



ALL NEW MEDIA SET

Introducing the Alpine forest media set. Inspired by the Australian woodlands.



FASCIA

Multiple fascia options. Choose between a 50mm trim or an 18mm trim with a flange kit.



MULTIPLE FLUE INSTALLATION

with up to 13.5m flue: horizontal, vertical, or under the floor. Install 0-9m with the insulated balanced powerflue kit.



CHARMING FLAME PATTERNS

Portrait utilises the latest Magiglo burner to conjure an elegant flame pattern.



POWERFUL ROOM COVERAGE

Heats up to 95m² of room with 6.6kW output to keep those winter chills away.



APP CONTROL

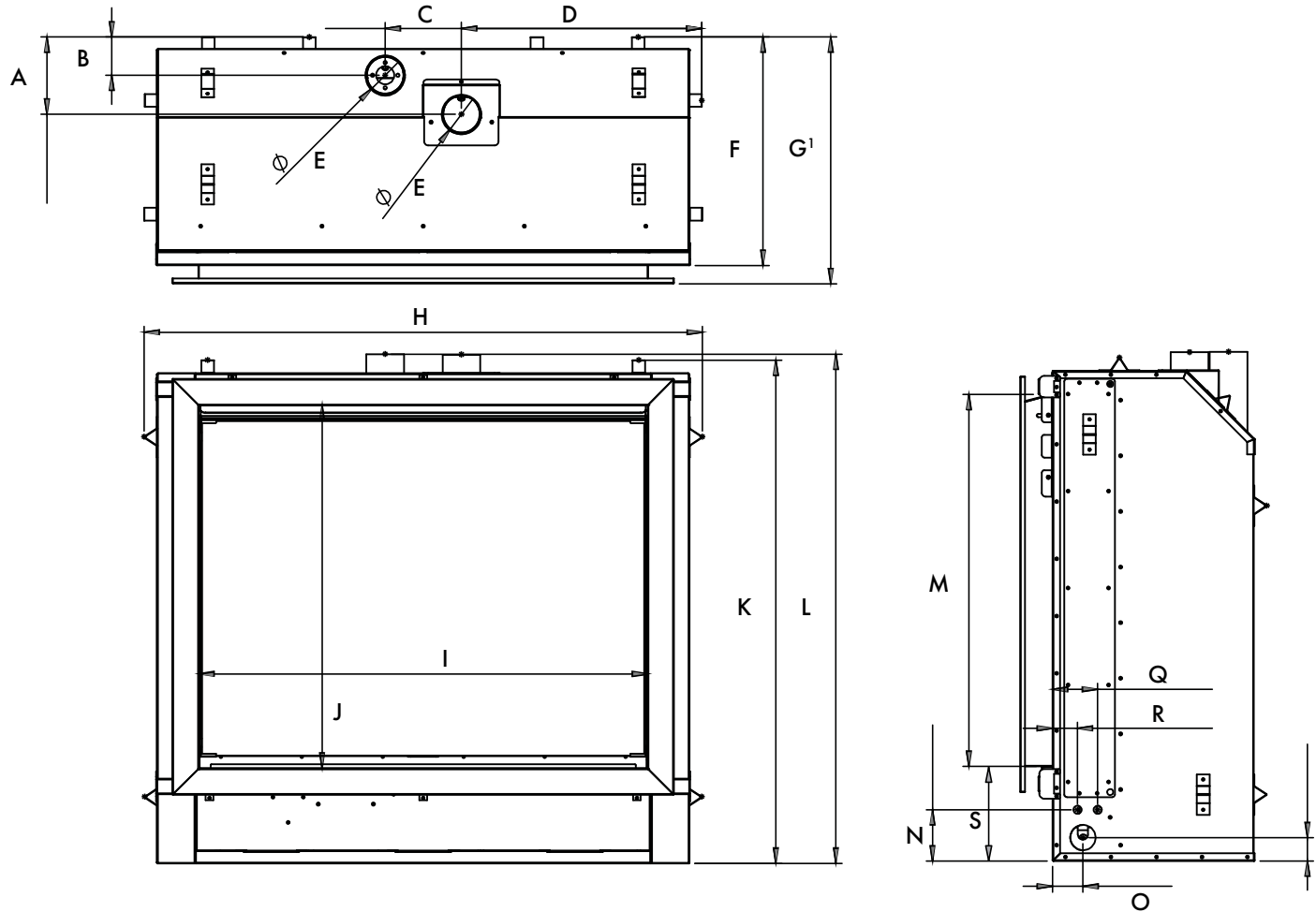
Real Flame app lets you control the fireplace remotely. App available in android and iOS devices.



REMOTE CONTROL

Convenience of operation with a touch of a button.

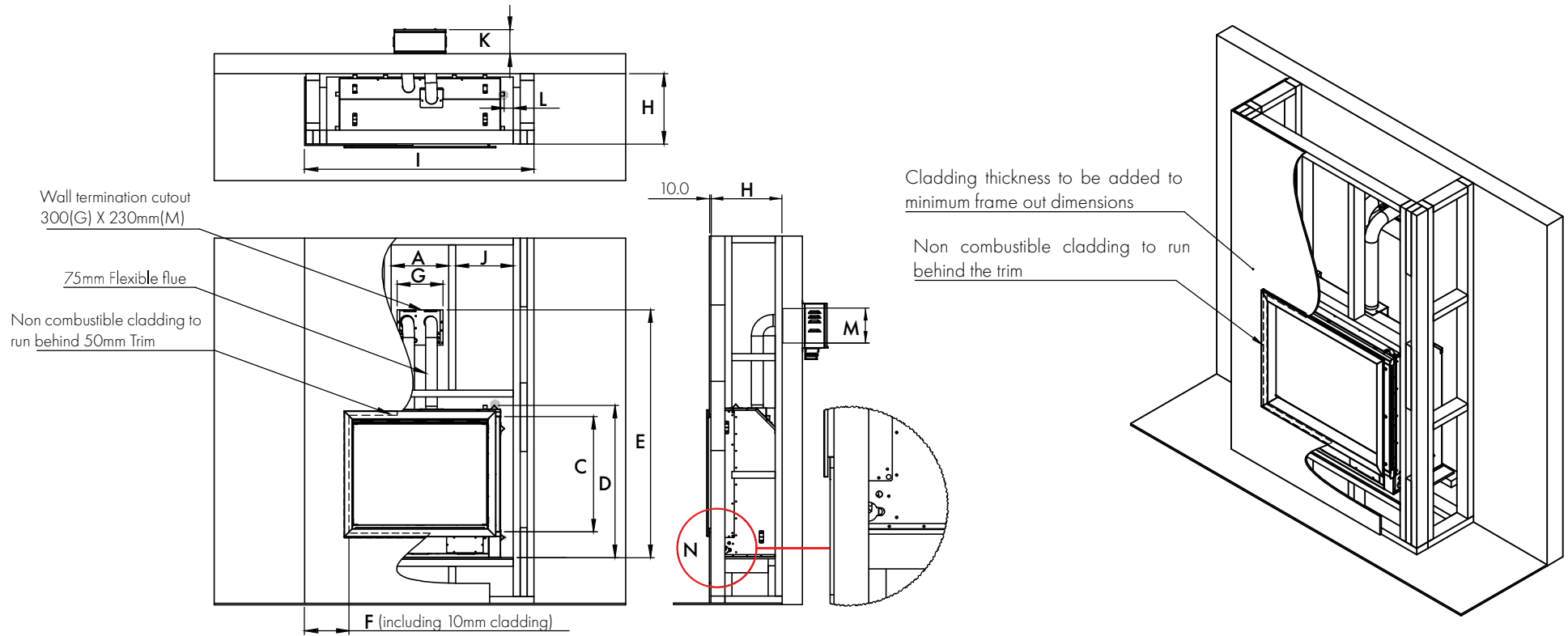
UNIT DIMENSIONS



A	B	C	D	E	F	G	H	I	J	K	L	M	N	O	P	Q	R	S
153	76	626	475	74.5	452	472	1103	887	714	995	1007	731	101	60	46	90	50	166

G' - Dimension are subject to plaster thickness

MINIMUM FRAME OUT DIMENSIONS



A	C	D	E	F	G	H	I	J	K	L	M
377	755	1295	1620	290	300	460	1500	377	159	60	230

NOTE

Use suitable support base, plywood not necessary.

Detail N

Allow min 80mm clearance for wire and gas pipe connection on the side of the framing to the unit.

If the framing is done as close to the clearance standoffs then, the timber framing must be notched to allow for the wiring and gas connection to pass.

VISIT WWW.REALFLAME.COM.AU FOR MORE INFORMATION. REFER TO THE MANUAL FOR MOST UP TO DATE TECHNICAL INFORMATION.

SPECIFICATIONS

APPLIANCE TYPE	High Efficiency Gas Fireplace	
STAR RATING	up to 4.7 stars	
MAX HEAT OUTPUT	up to 6.6kW	
ROOM SIZE	approx. up to 95m ²	
GAS TYPE	Natural Gas	LPG
GAS INPUT	28 High/22 Low	28 High/22 Low

MEDIA OPTIONS



REDGUM & COALS



DRIFTWOOD



ALPINE FOREST



LOGS & COAL



PEBBLES
*4 pebble colour option-
(shown above - white pebbles)

TRIM OPTIONS



50MM BLACK TRIM
POWDERCOAT BLACK



18MM TRIM
POWDERCOAT BLACK
*INCLUDES FLANGE KIT FOR FLUSH WALL FINISH





Glen Dimplex Australia Pty Ltd
8 Lakeview Drive,
Scoresby, VIC 3179
T 1300 554 155
E flame.care@glendimplex.com.au



Real Flame is a registered trademark of
Glen Dimplex Australia Pty Ltd, all rights reserved.

RF_ELE900P 23

Authorised Real Flame Dealer

The Company of Fire
36 Kareena Rd MIRANDA NSW 2228
8513 6201
info@thecompanyoffire.com.au

realflame.com.au